

Path resistance is a combination of relay contact resistance and trace resistance. Contact resistance typically remains low for the life of a relay. At the end of relay life, the contact resistance rises rapidly above 1.0 Ω .

Thermal EMF (typical)<3 μ V

Dynamic Characteristics

Relay operate time 14 ms

Expected relay life

- Mechanical 50,000,000 cycles
- Electrical
 - 30 VDC, 2 A 200,000 cycles
 - 250 VAC, 2 A 100,000 cycles

Physical Characteristics

Relay type Electromechanical, latching

I/O connector 48-pin DIN C male

Contact material Gold-clad silver alloy

Dimensions (W \times H \times D) 3.0 cm \times 17.3 cm \times 19.3 cm
(1.2 in. \times 6.8 in. \times 7.6 in.)

Weight 675 g
(1 lb 8 oz)

Environment

Operating temperature 0 $^{\circ}$ C to 50 $^{\circ}$ C

Storage temperature -20 $^{\circ}$ C to 70 $^{\circ}$ C

Relative humidity 5% to 85% noncondensing

Pollution Degree 2

Approved at altitudes up to 2,000 m.

Accessories

Visit ni.com for more information about the NI SCXI-1324 terminal block for the NI SCXI-1160.

Compliance and Certifications

Safety

This product is designed to meet the requirements of the following standards of safety for electrical equipment for measurement, control, and laboratory use:

- IEC 61010-1, EN 61010-1
- UL 3111-1, UL 61010B-1
- CAN/CSA C22.2 No. 1010.1



Note For UL and other safety certifications refer to the product label, or visit ni.com/hardref.nsf, search by model number or product line, and click the appropriate link in the Certification column.

Electromagnetic Compatibility

Emissions	EN 55011 Class A at 10 m FCC Part 15A above 1 GHz
Immunity	EN 61326:1997 + A2:2001, Table 1
EMC/EMI.....	CE, C-Tick, and FCC Part 15 (Class A) Compliant



Note For EMC compliance, you *must* operate this device with shielded cabling.

CE Compliance

This product meets the essential requirements of applicable European Directives, as amended for CE marking, as follows:

Low-Voltage Directive (safety)	73/23/EEC
Electromagnetic Compatibility Directive (EMC)	89/336/EEC



Note Refer to the Declaration of Conformity (DoC) for this product for any additional regulatory compliance information. To obtain the DoC for this product, visit ni.com/hardref.nsf, search by model number or product line, and click the appropriate link in the Certification column.

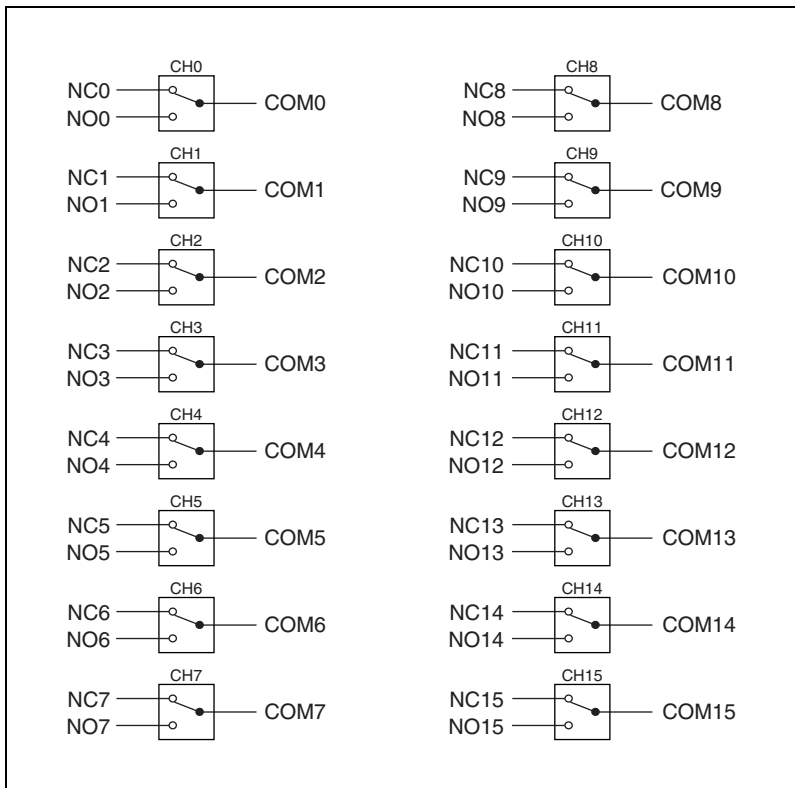


Figure 1. NI SCXI-1160 16-SPDT

